

**Modular Cooking Range Line  
 thermaline 80 - Water mixing tap with  
 knobs, 1 Side with Backsplash - H=250**

ITEM # \_\_\_\_\_

MODEL # \_\_\_\_\_

NAME # \_\_\_\_\_

SIS # \_\_\_\_\_

AIA # \_\_\_\_\_



588101 (MAEBBBBOOO)

Water mixing tap with knobs,  
 one side with backsplash

### Short Form Specification

Item No. \_\_\_\_\_

Water mixing tap with knobs for hot and cold water. Unit constructed according to DIN 18860\_2 with 20 mm drop nose top.. Internal frame for heavy duty sturdiness in stainless steel. 2 mm top in 1.4301 (AISI 304). Flat surface construction, easily cleanable. THERMODUL connection system enables seamless worktop when units are connected and avoids soil penetrating. IPX5 water resistant certification.

Configuration: One-side operated top unit with backsplash. The base needs to be supplied by the factory. Please include appropriate base.

### Main Features

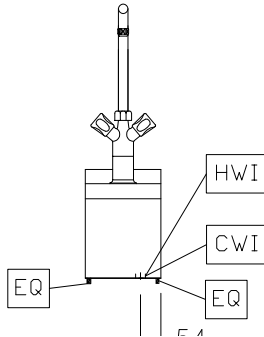
- Water mixing unit for hot and cold water.
- All major components may be easily accessed from the front.
- THERMODUL connection system creates a seamless work top when units are connected to each other thus avoiding soil penetrating vital components and facilitating the removal of units in case of replacement or service.
- Large stainless steel tap.

### Construction

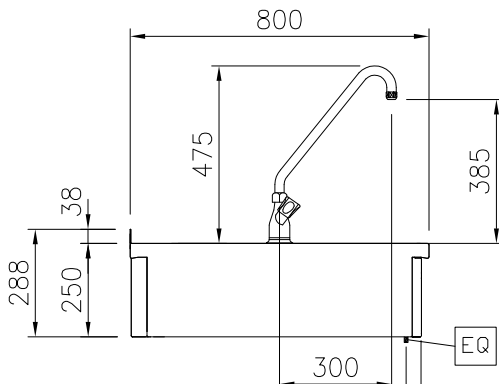
- 2 mm top in 1.4301 (AISI 304).
- IPX5 water resistance certification.
- Flat surface construction with minimal hidden areas to easily clean all surfaces
- Internal frame for heavy duty sturdiness in stainless steel.

APPROVAL: \_\_\_\_\_

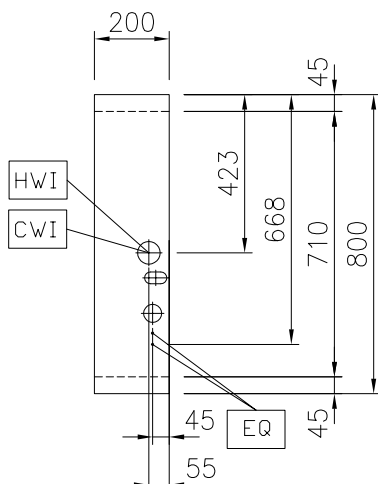
Front



Side



Top



## Water:

Inlet water line size:  
Incoming Cold/hot Water line  
size:

## Key Information:

External dimensions, Width:	200 mm
External dimensions, Depth:	800 mm
External dimensions, Height:	250 mm
Net weight:	13.5 kg

### Optional Accessories

- Connecting rail kit for appliances with backsplash, 800mm PNC 912497
- Connecting rail kit for appliances with backsplash: modular 80 (on the left), ProThermetic tilting (on the right), ProThermetic stationary (on the left) to ProThermetic tilting (on the right) PNC 912977
- Connecting rail kit for appliances with backsplash: modular 80 (on the right), ProThermetic tilting (on the left), ProThermetic stationary (on the right) to ProThermetic tilting (on the left) PNC 912978
- Back panel, 200x700mm, for units with backsplash PNC 913007
- Back panel, 200x800mm, for units with backsplash PNC 913020
- Endrail kit, flush-fitting, with backsplash, left PNC 913113
- Endrail kit, flush-fitting, with backsplash, right PNC 913114
- Endrail kit (12.5mm) for thermaline 80 units with backsplash, left PNC 913204
- Endrail kit (12.5mm) for thermaline 80 units with backsplash, right PNC 913205
- Insert profile D=800mm PNC 913230